



Video Systems Brochure



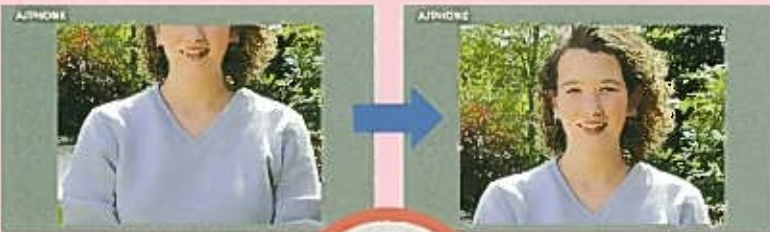
Add Security and Convenience with Aiphone Video Entry Security and Communication Systems

Aiphone's 2-Wired Video Systems

Aiphone video systems use the same two wires between stations as an ordinary doorbell systems. It carries the audio, video, camera, and power control signals.



Color Video and Color with Tilt control



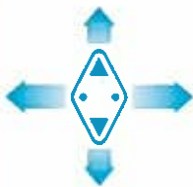
4" TFT Color LCD monitor

Press top edge of TILT control pad to move door camera from horizontally (bottom pos.) to max. 40° upward.



VIDEO SENTRY TILT

Aiphone introduces a new full line of Color Video systems with remote tilt control, the first in the industry. The color system features DSP (Digital Signal Processor), and provides outstanding performance with a super crisp image on the TFT LCD monitor. White LED illuminators on the door station turn on automatically in low light to ensure full color image, even at night. Tilt control allows adjustment of the viewing area up to 40° vertically.

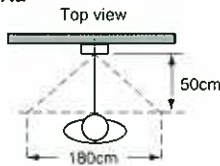


PanTilt Video Door Station

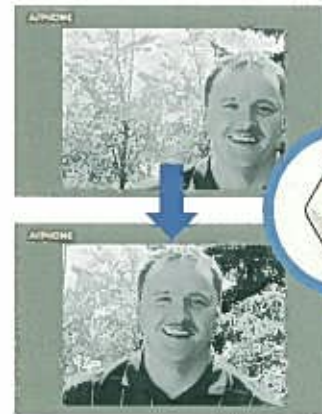
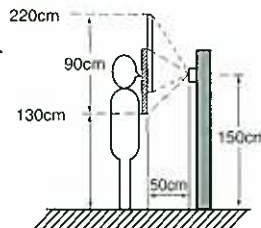
An Aiphone video system with PanTilt allows you to remotely control the door camera and adjust the viewing area. It can be panned and tilted to view max. 180cm side-to-side and 90cm up and down.

PANTILT

HORIZONTAL (panning)



VERTICAL (tilting)



Wide Angle Lens and Clear Picture

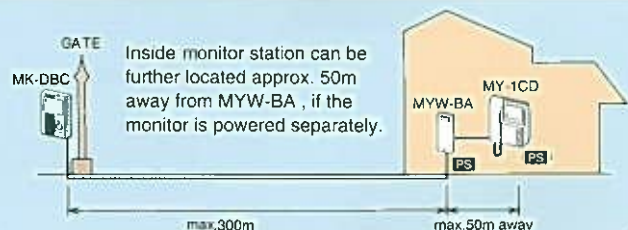
Aiphone video systems have a flexible viewing area allowing visitors of all heights to be seen on the monitor. The infrared illuminators in the door station brighten the image of the visitor even in low light conditions.



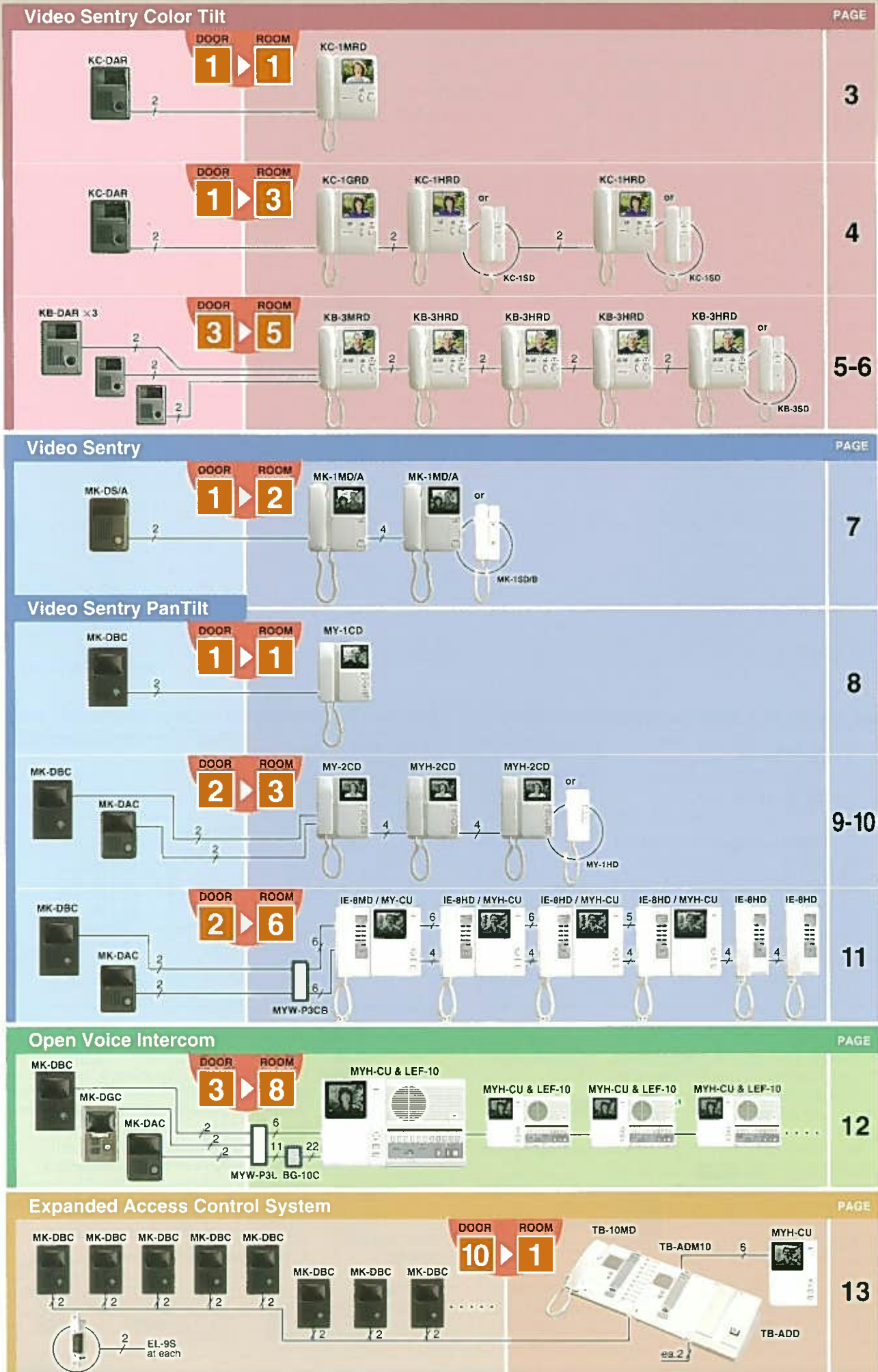
MK-DS/A view on MK-1MD/A monitor

Long Wiring distance (For MY & MK)

With the Long Distance Adaptor, the standard video door station can be extended up to 300m. This is a feature exclusive to Aiphone and is perfect for gated homes, long driveways, and large businesses or campuses.



SYSTEM CHART - AUDIO / VIDEO ENTRY SECURITY



DOOR

ROOM



Video Sentry Color Tilt

New

KC-1MRD



- Clear and bright image with color TFT LCD monitor and DSP video door station
- TILT camera control
- INSTANT ON audio & image of door when called
- Handsfree monitoring audio & image from door
- White LED illuminator

VIDEO SENTRY TILT



KC-DAR
Video door station

2



KC-1MRD
Master station

• Options


New

KC-32EU
Picture memory unit


New

KA-DGR PANEL
Stainless steel housing for KC-DAR



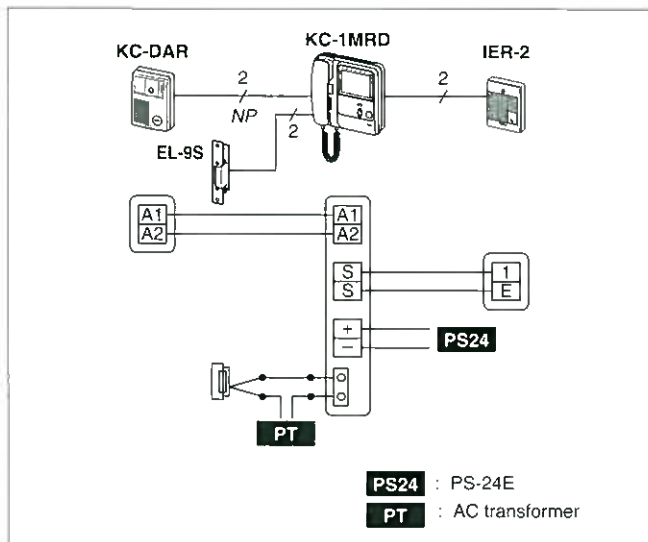
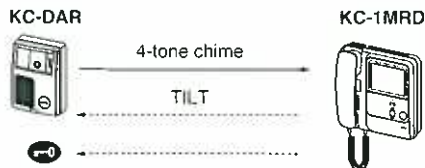
IER-2
Call extension



EL-9S
Door release

KAW-D 30° Angle Box

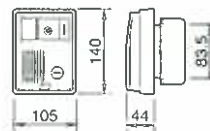
Basic 1 door to 1 monitor system



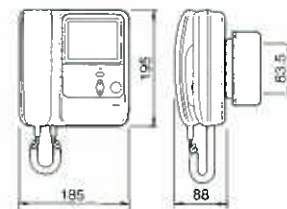
System components

KCS-1ARD: Boxed set
KC-DAR: Video door station
KC-1MRD: Master station
24V DC power supply: PS-24E

KC-DAR



KC-1MRD



Specifications

Power source: 24V DC, 650mA. 50mA(standby)

Power supply: PS-24E.

Communication: Door calls in w/4-tone chime & image, 30 sec. timed. Lift handset to reply, 2-1/2 min. timed. In standby, press MONITOR to view and hear door.

Image view area: Approx. 60cm horiz., 111~235cm vert. (at 130cm high and 50cm from camera)

Night viewing: White light projected up to 30cm from camera. The background scene beyond 30cm cannot be seen.

Door release: 12V AC, 400mA.

Wiring: 2 parallel wires to door, non-polarized.

Distance:	0.65mmø	1.0mmø
• KC-1MRD to door	50m	100m
• KC-1MRD-IER-2	50m	100m

DOOR

ROOM

1



3

KC-1GRD



Video Sentry Color Tilt

New

- Max. 3 monitor stations
- INSTANT ON door audio & video of door when called
- Internal calling with All Call
- 100m distance between monitors
- Audio sub stations in lieu of monitor

VIDEO SENTRY TILT



KC-DAR
Video door station



KC-1GRD
Master station



KC-1HRD
Sub master station



KC-1HRD
Sub master station



KC-1SD
Audio sub station

• Options

New



KC-32EU
Picture memory unit

New



KA-DGR PANEL
Stainless steel housing for KC-DAR



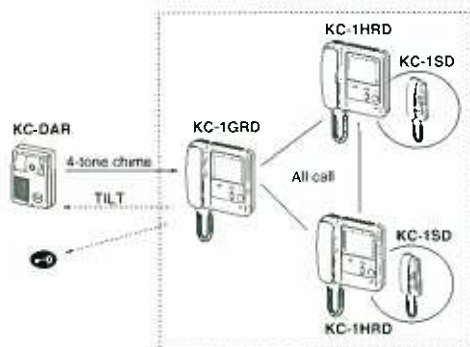
IER-2
Call extension



EL-9S
Door release

KAW-D 30° Angle Box

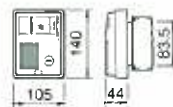
Max. 3-monitor system with internal communication (All Call)



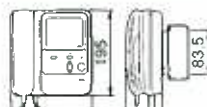
System components

KC-DAR:	Video door station
KC-1GRD:	Master station
KC-1HRD:	Sub master station (Max. 2 pcs)
KC-1SD:	Audio sub station (Max. 2 pcs)
24V DC power supply: PS-24E	

KC-DAR



KC-1GRD, KC-1HRD



KC-1SD



Specifications

Power source: KC-1GRD: 24V DC, 700mA. 70mA standby. KC-1HRD: 500mA. 50mA standby. KC-1SD: 70mA. 50mA standby.

Power supply: PS-24E

Communication: Door calls in w/4-tone chime, 30 sec. Hear and see door instantly. Pick up at any station to reply, 2-1/2 min. Recycle w/MONITOR. Monitor handsfree audio & video from door w/MONITOR. Press ALL CALL to call inside stations w/pretone & voice. Lift a handset to reply.

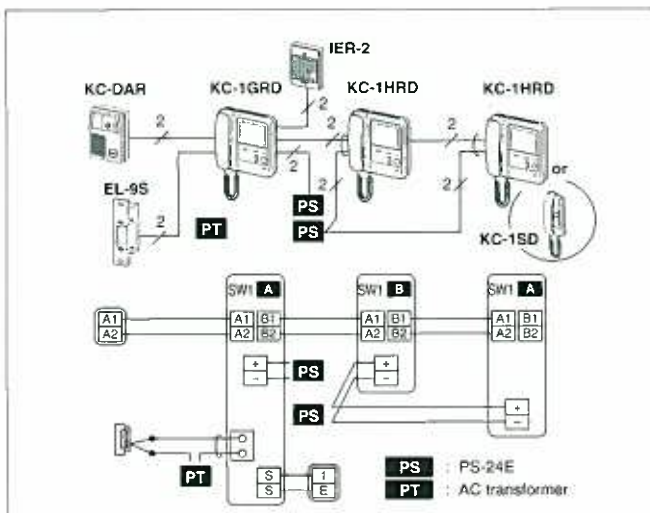
Image view area: Approx. 60cm horiz., 111~235cm vert. (at 130cm high and 50cm from camera)

Night viewing: White light projected up to 30cm from camera. The background scene beyond 30cm cannot be seen.

Door release: Contact: 12V AC, 400mA.

Wiring: 2 parallel wires to door (NP). 2 wires in loop, between monitors, plus 2 wires separately run from power supply.

Distance:	0.65mmø	1.0mmø
• KC-1GRD to door	50m	100m
• Monitors	50m	100m
• KC-1GRD~IER-2	50m	100m



DOOR

ROOM

3 → 5

New

KB-3MRD



- 3 doors & 5 monitors w/TILT camera control
- INSTANT ON audio & video from door
- Selective calling or All Call
- Audio sub station in lieu of monitor
- Optional audio door at 3rd entry
- Chime and audio receive volume controls

VIDEO SENTRY TILT



KB-DAR
Video door station



KB-DAR



KB-DAR or **IF-DA**
Audio door station

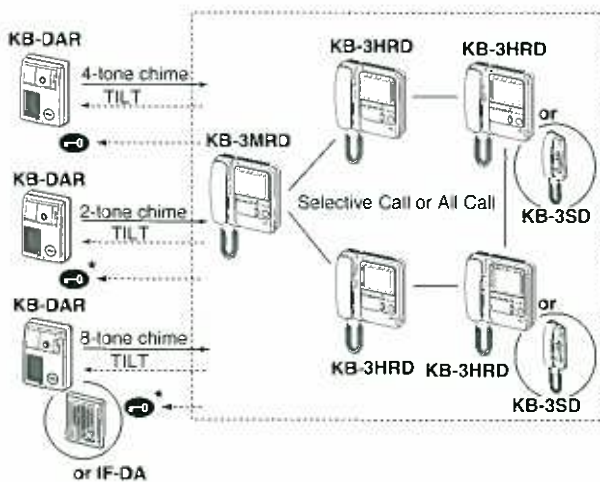


KB-3MRD
Master station

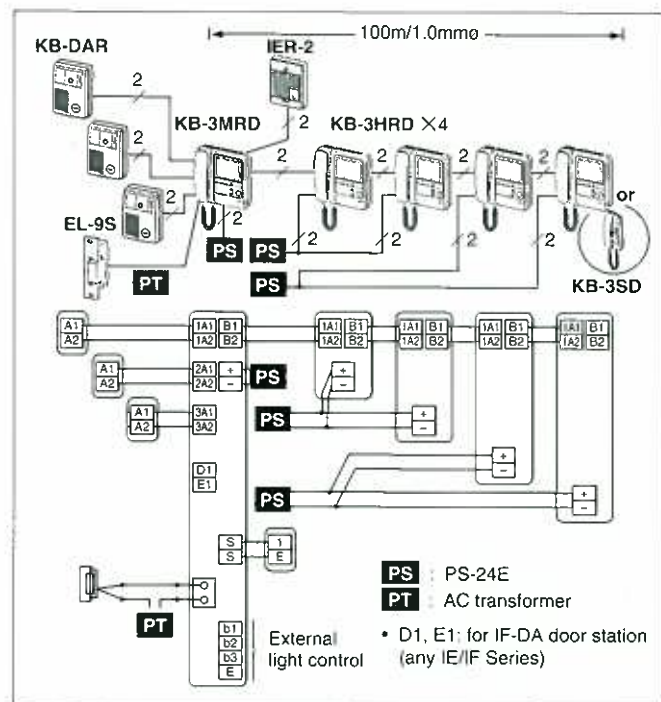


KB-3HRD
Sub master station

Expanded system with 3 doors and 5 monitors. All Call. Added Selective Calling with handsfree reply.



* 3 door releases available with RY-3DL.



System components

KB-DAR:	Video door station
KB-3MRD:	Master station
KB-3HRD:	Sub master station (Max. 4 pcs)
KB-3SD:	Audio sub station (Max. 2 pcs)
24V DC power supply: PS-24E	

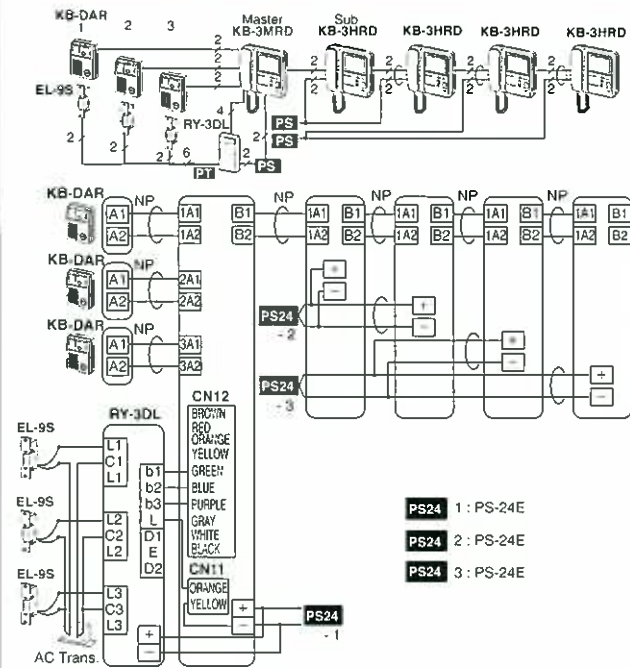
Note: Wire on KB-3SD in the same manner as on KB-3HRD, and extend +, - wires from a monitor station.



Options

- New** KC-32EU Picture memory unit
- New** RY-3DL 3 Door release adaptor
- New** KA-DGR PANEL Stainless steel housing for KB-DAR
- IER-2 Call extension
- EL-9S Door release
- MAW-B Relay for auxiliary light control
- KAW-D 30° Angle Box

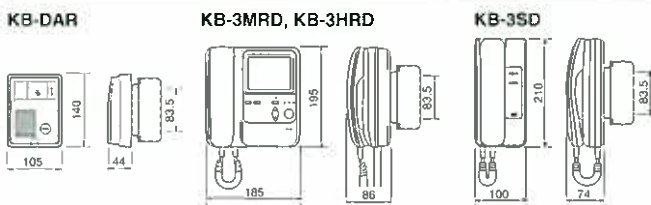
KB-3MRD system (with 3 door releases)



Specifications (KB-3MRD)

- Power source:** 24V DC
- Consumption:** KB-3MRD: 860mA, 220mA standby.
KB-3HRD: 410mA, 80mA standby.
KB-3SD: 85mA, 50mA standby.
- Power supply:** PS-24E
- Video monitor:** TFT color LCD
- Communication:** Door calls in w/4-tone chime, 30 sec. Hear and see door instantly. Pick up at any station to reply, 2-1/2 min. timed. Recycle with MONITOR. Monitor handsfree audio & video from door w/MONITOR. Press a station selector and call by voice. The called station replies handsfree. Lifting handset, press ALL CALL button to call all other inside stations w/pretone and voice.
- Image view area:** Approx. 60cm horiz., 111~235cm vert. (at 130cm high and 50cm from camera)
- Night viewing:** Up to 30cm from camera, with white LED projected. Background scene beyond 30cm cannot be seen.
- Door release:** Contact: 12V AC, 400mA.
- Wiring:** 2 parallel wires to each door, non-polarized. 2 wires in loop, between monitors, plus 2 wires separately run from power supply.

Distance:	0.65mmø	1.0mmø
• KB-3MRD to door	100m	200m
• KB-3MRD to subs	50m	100m
• KB-3MRD-IER-2	50m	100m



- Cable specified (for both door & inside stations)**
1. 0.65mmø to 1.2mmø.
 2. PE (polyethylene) insulation & Vinyl-sheathed cable. Attenuation of less than -6.5dB at 10MHz./100m length.
 3. Single-core conductor.
 4. Line impedance: ± 75Ω (highest: less than 100Ω)



- Wide-angle vision: 70° vert., 90° horiz.
- Camera angle can be upwardly adjusted by 14° (manual)
- Optional second monitor or intercom sub station
- Handsfree audio/video monitoring of door

MK-1MD/A



MK-DS/A
Video door station



MK-1MD/A
Master station



MK-1SD/B
Audio sub station

• Options

New



KC-32EU
Picture memory unit



MYW-BA
Long distance adaptor



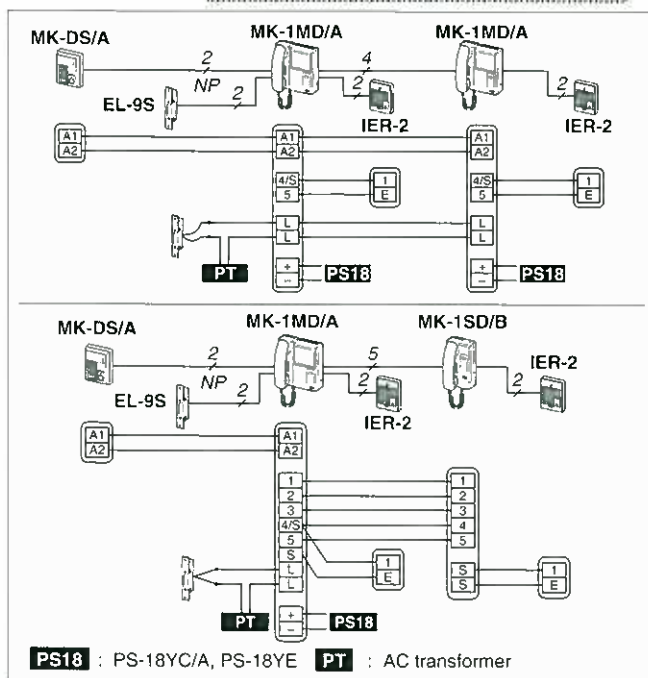
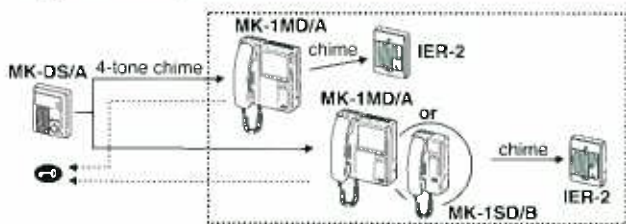
IER-2
Call extension



EL-9S
Door release

KAW-D 30° Angle Box
MCW-S Desk-top stand

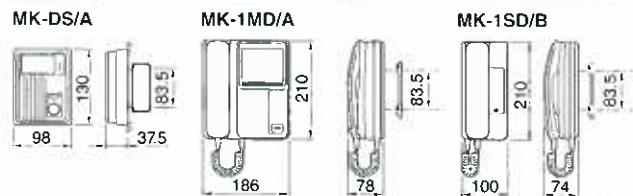
Single - monitor, or in combination with monitor or handset



PS18 : PS-18YC/A, PS-18YE **PT** : AC transformer

System components

- MKS-1E/AYC**: Boxed set of MK-1MD/A, MK-DS/A & PS-18YC/A
- MKS-1E/AYE**: Boxed set of MK-1MD/A, MK-DS/A & PS-18YE
- MK-1MD/A**: Master station, also as second master station
- MK-1SD/B**: Audio sub station
- 18V DC power supply**: PS-18YC/A, PS-18YE

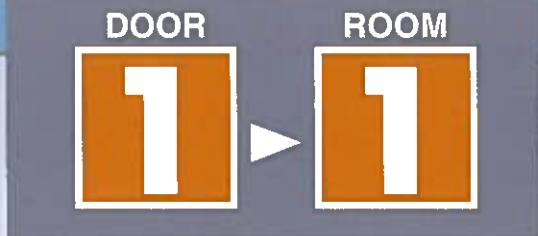


Specifications (MK-1MD/A)

- Power source**: 18V DC, 0.8A, 0.04A standby
- Power supply**: PS-18YC/A, PS-18YE
- Scanning line**: 525 lines
- Communication**: Door calls in w/4-tone chime and image, 45 sec. timed. Pick up (either) handset to reply, 2-1/2 min. timed. Inside stations cannot call each other.
- Image view area**: 70cm vert., 100cm horiz. at 50cm from camera
- Min. illumination**: 1 Lux at 50cm
- Door release**: Contact: 12V AC, 400mA.
- Wiring**: 2 parallel wires, non-polarized to door. 5 wires, to audio sub

Distance:	0.65mmø	1.0mmø
• Door to MK-1MD/A1-2	50m	100m
• MK-1MD/A to MK-1SD/B	50m	100m

• **KC-32EU** cannot work with MK-1MD/A 2-monitor system.



- Single PanTilt door and monitor system w/access control
- Handsfree video monitoring
- Door release, PanTilt, Backlight & Monitor controls

MY-1CD BLACK & WHITE PANTILT



MK-DAC
Video door station

New



MY-1CD
Master station

• Options

New



KC-32EU
Picture memory unit



MYW-BA
Long distance adaptor



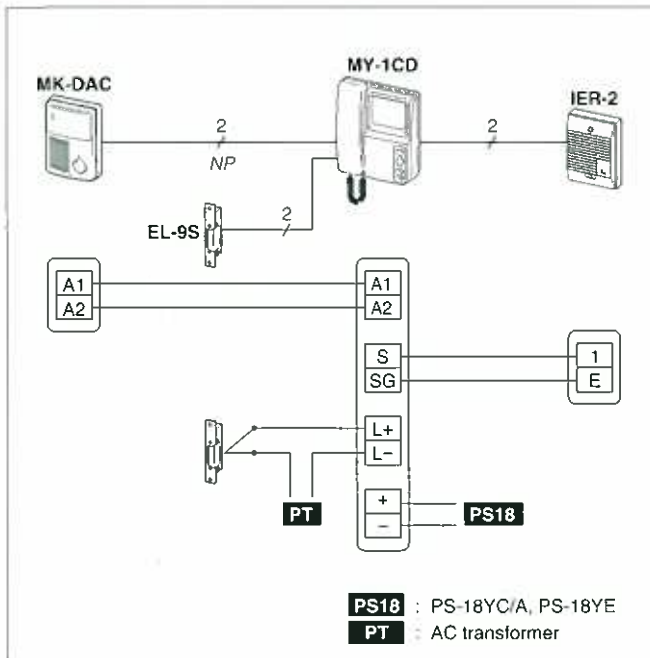
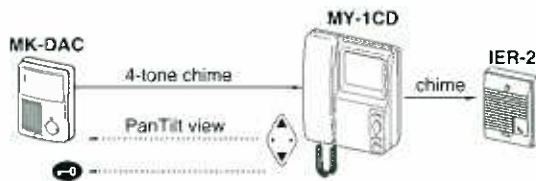
IER-2
Call extension



EL-9S
Door release

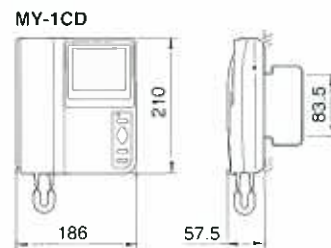
KAW-D 30° Angle Box

Single PanTilt door and monitor system



System components

- MY-1CD:** Master station
- MK-DAC:** Video door station (MY, MK Series)
- 18V DC power supply:** PS-18YC/A, PS-18YE



Specifications (MY-1CD)

- Power source:** 18V DC, 900mA, 40mA standby
- Power supply:** PS-18YC/A, PS-18YE
- Video monitor:** 4" direct view flat CRT
- Scanning line:** 525 lines
- Communication:** Door calls in w/4-tone chime 45 sec. timed. Lift handset to reply 2-1/2 min. timed. Turn image on/off with MONITOR.
- Image timer:** 45 sec. (call-in) 2-1/2 min. (communication)
- Wiring:** 2 parallel wires, non-polarized

Distance:	0.65mmø	1.0mmø
• MY-1CD to door	50m	100m

DOOR

ROOM

2

3

- Dual PanTilt doors & three monitors
- Additional audio door station
- All-call type room calling
- Selective door release control (with RY-3DL)

MY-2CD

BLACK & WHITE



New



MK-DBC
Video door station

New



MK-DAC
Video door station

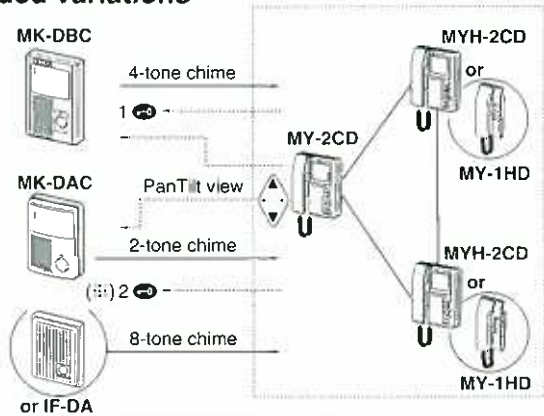


IF-DA
Audio door station



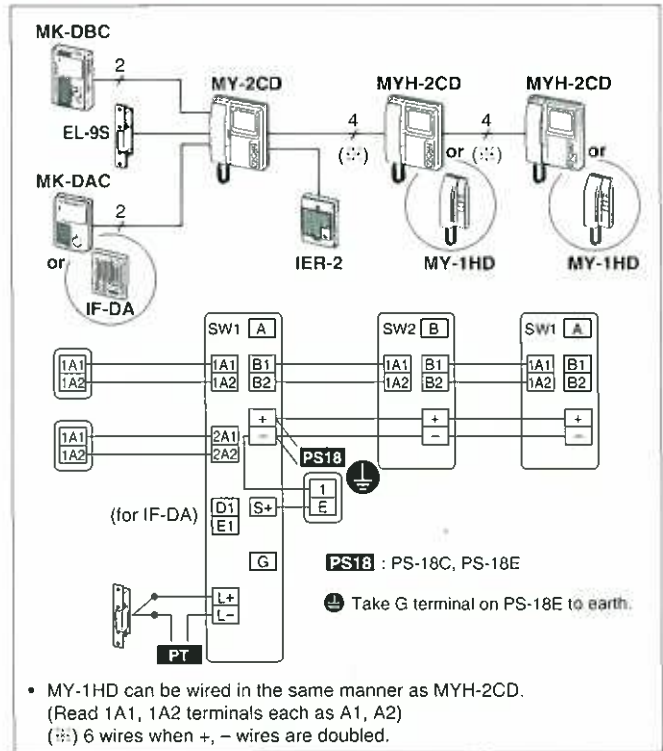
MY-2CD
Master station

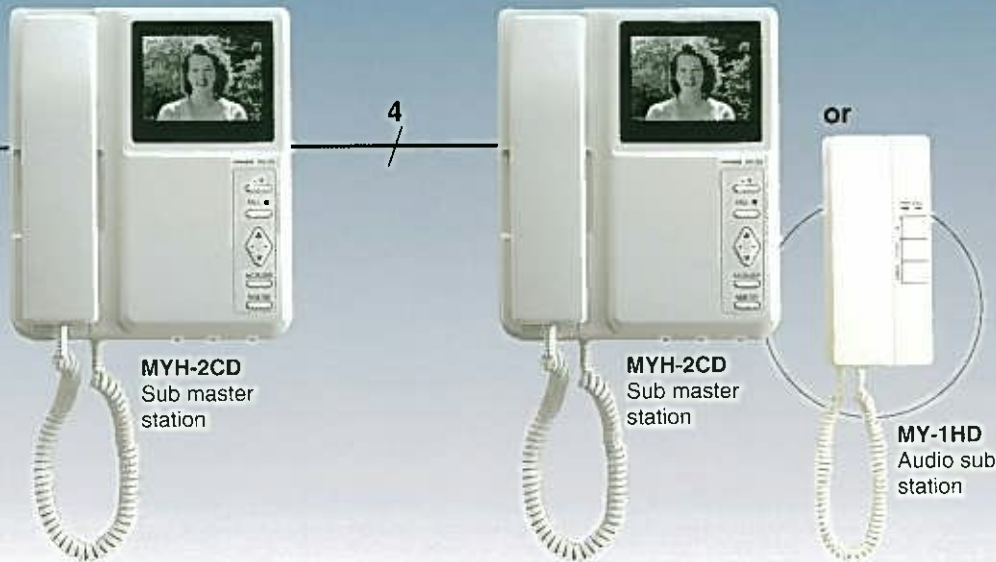
Max. 2 PanTilt door & 3 monitor system with added variations



- Door release (::)2: Available w/RY-3DL only
- Door station IF-DA is optional for third entry
- For second and third stations, use either sub master (MYH-2CD) or audio only station (MY-1HD).

MY-2CD System





MYH-2CD
Sub master station

MYH-2CD
Sub master station

MY-1HD
Audio sub station

• Options



KC-32EU
Picture memory unit



MYW-BA
Long distance adaptor



RY-3DL
3 door release adaptor



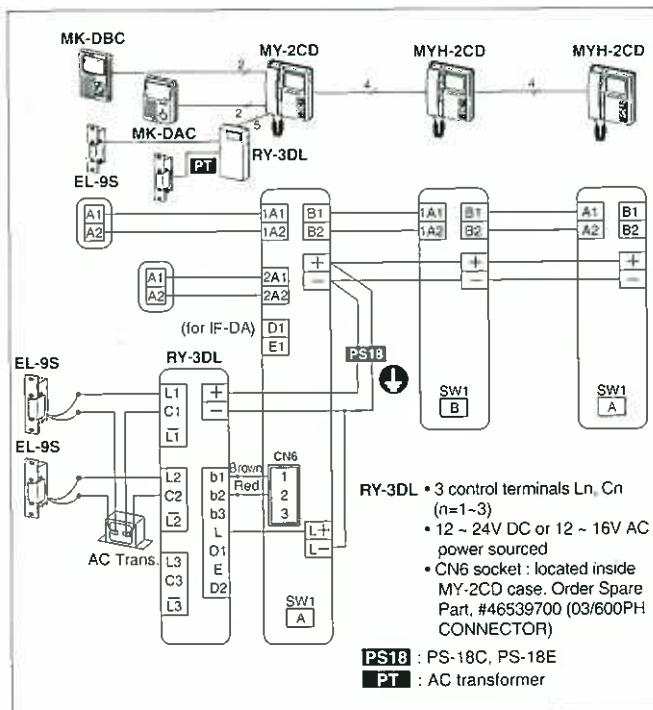
IER-2
Call extension



EL-9S
Door release

KAW-D 30° Angle Box
MCW-S Desk-top stand

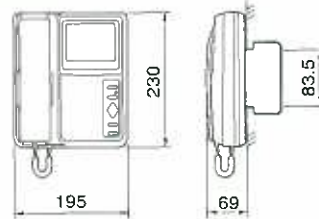
Two door releases with RY-3DL



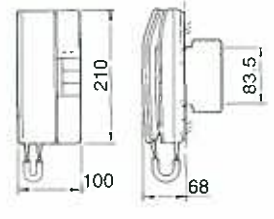
System components

- MK-DBC:** Video door station (any MY, MK)
- MY-2CD:** Master station
- MYH-2CD:** Sub master station
- MY-1HD:** Audio sub station
- 18V DC power supply:** PS-18C, PS-18E

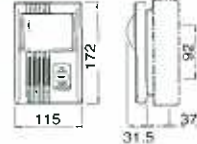
MY-2CD



MY-1HD



MK-DBC



RY-3DL



Specifications (MY-2CD)

- Power source:** 18V DC, 1.96A, 0.28A standby
- Power supply:** PS-18C, PS-18E
- Video monitor:** 4" direct view flat CRT
- Scanning line:** 525 lines
- Communication:** Door calls in w/4, 2 or 8-tone chime 45 sec. timed. Lift any handset to reply 2-1/2 min. timed. Press ROOM to call the rest stations with tone & voice.
- Wiring:** 2 wires parallel to door, non-polarized. 4 or 6 (or 6 or 8) wires, rooms

Wiring distance:	0.65mmø	1.0mmø
• MY-2CD ~ P/T door	50m	100m
• MY-2CD ~ MY-DS	100m	200m
• MY-2CD ~ IE/IF	150m	360m
Room monitors:	1.0mmø	1.0mmø (*)
• MY-2CD ~ MYH-2CD 1	56m	75m
• MY-2CD ~ MYH-2CD 1-2	28m	56m

(*) +, - wires doubled.

DOOR

ROOM

2



6

Video Sentry PanTilt

MYW-P3CB & IE-8MD

- 6 stations & two PanTilt doors + one camera
- Add-on monitors with additional power supply
- Answer door from any room station
- Selective or All Call between room stations



New

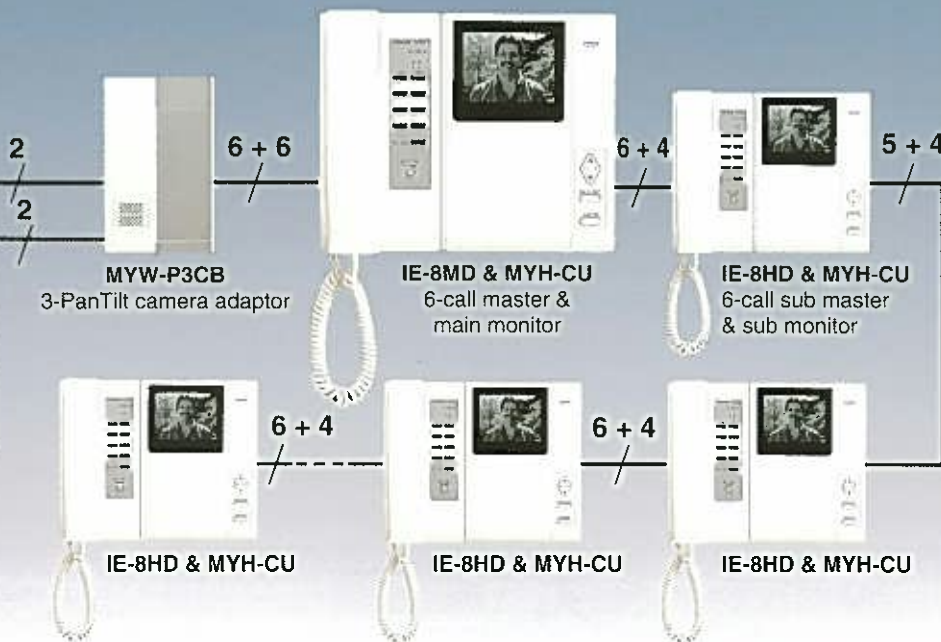


MK-DBC
Video door station

New



MK-DAC
Video door station



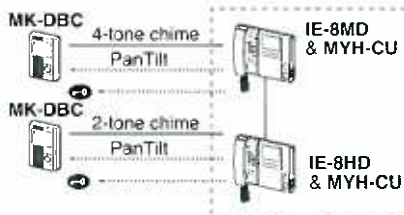
(*) 6 or 5 for video, separately jacketed

• Options



TAR-3 or RY-AC/A
Relay for bell or buzzer

Multiple video monitors, expandable



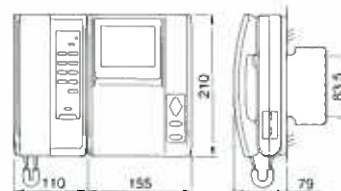
System components

- IE-8MD:** Master station
- IE-8HD:** Sub master station (max. 5 pcs)
- MYW-P3CB:** 3-PanTilt camera adaptor
- MYH-CU:** Video monitor (2 pcs or more*)
- MK-DBC:** Video door station (any MY, MK)

18V DC power supply: PS-18C, PS-18E

* One to 4 additional monitors with supplementary PC-18C/E

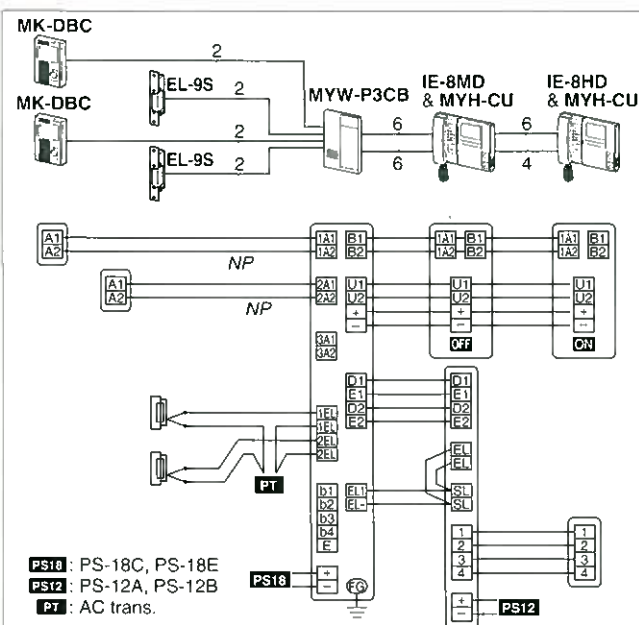
IE-8MD (IE-8HD) & MYH-CU



Specifications (MYW-P3CB)

- Power source:** 18V DC, 1.2A. 0.25A standby.
MYH-CU: 0.4A. 0A standby.
- Power supply:** PS-18C, PS-18E
- Capacity:** 3 PanTilt doors/camera or 1 coax. camera
- Auto-scan duration:** 5 or 10 sec. Press MONITOR 1.5 sec.
- Door release:** 3(2), channel controlled
- Wiring:** 2 parallel wires, to door.
6 wires, MYW to MYH-CU1-2
6 wires, MYW to IE-8MD

Distance:	0.65mmø	1.0mmø
• MYW ~ door	50m	100m
• MYW ~ MYH1-2	35m	75m



Add-on monitors MYH-CU with supplementary power supply.



LEF & MY

- 3 PanTilt doors & two or more inside monitors
- Selective door release control
- Handsfree video monitoring
- Station selector audio & video monitoring
- Surface & semiflush video monitors



New



MK-DBC
Video door station

New



MK-DGC

New



MK-DAC
Video door station

2 2 2
MYW-P3L
3 PanTilt door adaptor



BG-10C
All Call, Music &
Chime adaptor



MYH-CU & LEF-10
Video monitor &
10-call master
surface-mount



MYH-CUB & LEF-10C
Video monitor & 10-call master
semi-flush mount

(*) 6 or 5: for video, separately jacketed

• Options



EL-9S
Door release

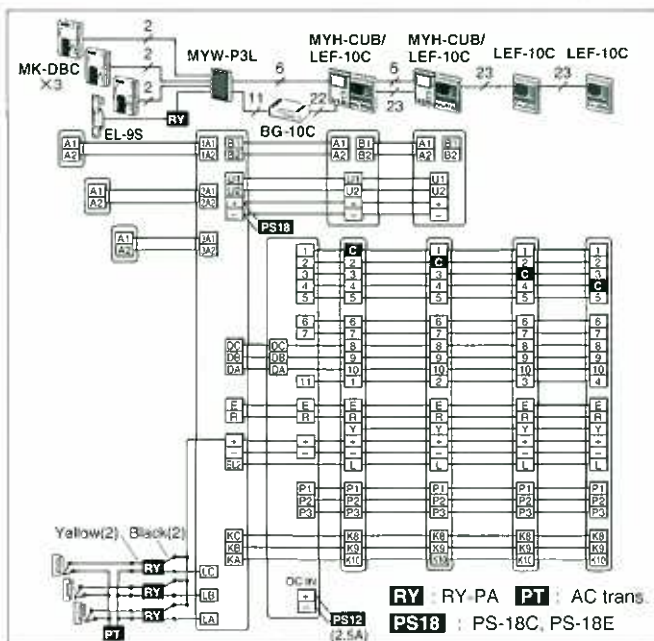
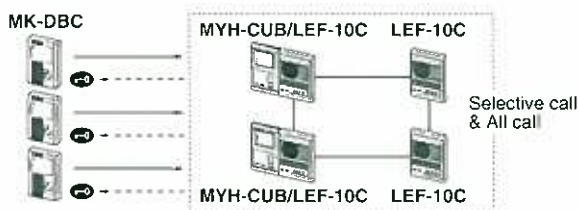


RY-PA
Relay for
door release



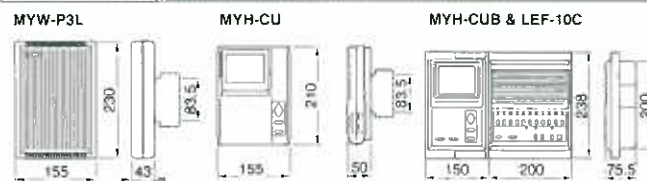
MYW-BA
Long distance
adaptor

Versatile open voice communication and multiple PanTilt door & monitor integration



System components

- MYW-P3L: 3 PanTilt door adaptor
- MK-DBC: Video door station (any MY, MK Series)
- MYH-CU: Video monitor
- LEF-3, 5, 10, 10S: 3, 5, 10-call master.
- MYH-CUB: Video monitor, semiflush mount.
- LEF-3C, 5C & 10C: 10-call master.
- BG-10C: All Call, Music & Chime adaptor.
- Add-on monitors MYH-CU w/add'l power supply (2 to 4 max.). Do not connect + wire between blocks.
- LEF-3, 3C: Intercom only. No video or door release.



Specifications (MYW-P3L)

- Power source: MYW-P3L: 18V DC, 0.6A.
MYH-CU: 0.4A, 0A standby.
- Power supply: PS-18C, PS-18E.
- PanTilt door capacity: 3
- Door release: 3, selectively controlled.
- Image control: KA-KC to K10-K8, activated by selector button #10-8 (chime receive via DA to DC).
- Wiring: 2 parallel wires to door, non-polarized.
6 wires, in loop, MYW-P3L to monitors.

Distance:	0.65mmø	1.0mmø
• MYW-P3L to door	50m	100m
• MYW-P3L to MYH-CU1	35m	75m
• MYW-P3L to MYH-CU2	17m	35m

DOOR

ROOM

10



1

Expanded Access Control System

TB-M

BLACK &
WHITE

PANTILT

- Max. 10 PanTilt doors and one monitor to TB-M
- 40-sec. door call-in timer
- Auto-scanning, max. 60 min.
- Pre-tone sounds at door
- Video output to monitor, TV or time-lapse VCR (525 lines only)

New

MK-DBC
Video door station

New

MK-DGC
Video door stationEL-9S
Door releaseEL-9S
Door release

2

2

PT

2

2

2

2

2

2

2

2

2

2

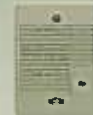
2

2

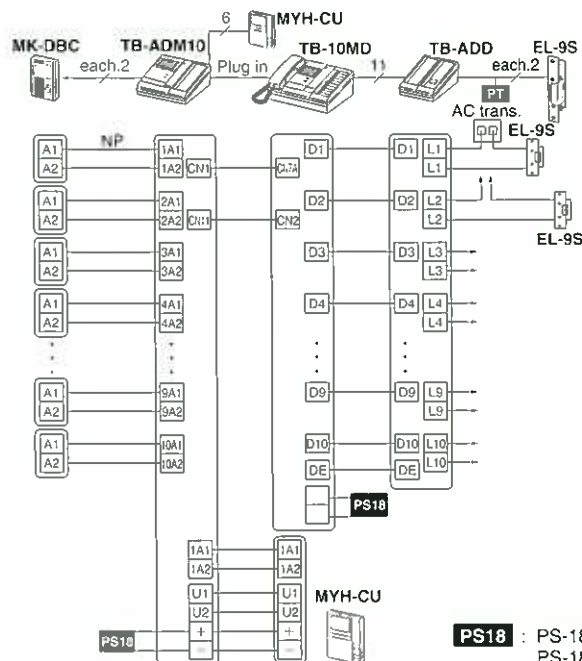
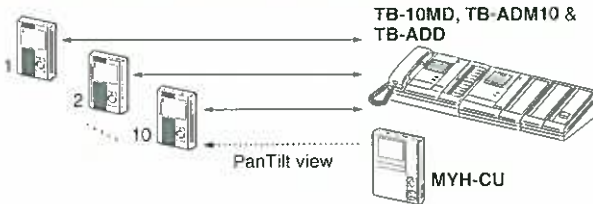
2

MYH-CU
Video monitor

Options

MYW-BA
Long distance
adaptorIER-2
Call extensionTAR-3
Relay for bell
or buzzerTB-10MD
10-call masterTB-ADM10
10-call PanTilt
door adaptorTB-ADD
10-way door
release adaptor

TB-M multiple PanTilt door system

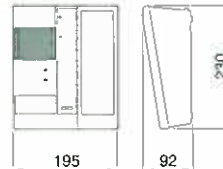
PS18 : PS-18C,
PS-18E

System components

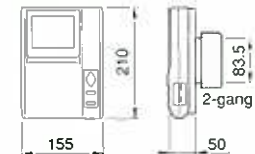
- TB-10MD:** 10-call master.
- TB-ADM10:** 10-call PanTilt door adaptor.
- MK-DBC:** PanTilt door station (any MY, MK)
- MYH-CU:** Video monitor (1 pce).

- In lieu of MK-DBC, audio door station(s) IF-DA, etc. can be used (any number).
- ★ Door station cannot call two TB-M's simultaneously.

TB-ADM10



MYH-CU



Specifications (TB-ADM10)

- Power source:** 18V DC, 700mA.
- Power supply:** PS-18C, PS-18E
- PanTilt door capacity:** 10 (incl. IE/IF audio).
- Call-in:** 40 sec. timed.
- MYH-CU image timer:** 2-1/2 min. timed.
- Auto-scan timer:** 60 min. max. w/duration 10, 20 or 30 sec. Press MONITOR 2 sec. to initiate.
- Wiring:** 2 parallel wires to door, non-polarized

Distance:	0.65mmø	1.0mmø
• TB-ADM10 to door	50m	100m
• TB-ADM10 to PS-18E	5m	10m

New

Picture Memory Unit

KC-32EU

- Easy add-on to present or new system, color or black/white
- 16, 32 or 60 picture save for replay
- Max 8 pictures storeable in memory
- Pictures in memory not erased from power failure
- 4 consecutive views of caller in 2 second interval
- Single-gang surface mounting (bracket supplied)
- 18V or 24V DC power source

Color images



Black & White images

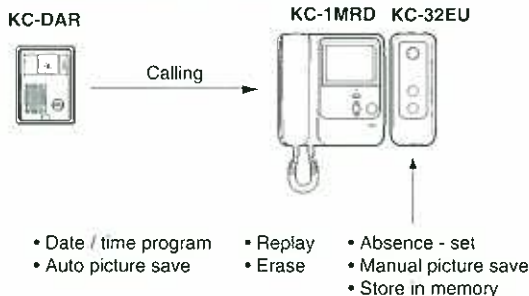


16 (4-frame), 16, 32 or max. 60 images 4-frame picture and zoom-up

Note:
One KC-32EU holds only one video door station. Install the KC-32EU unit for as many video door stations as required.



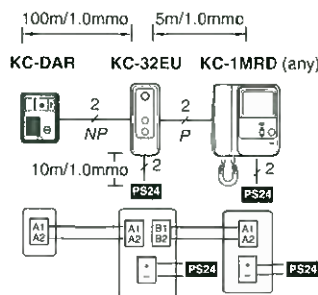
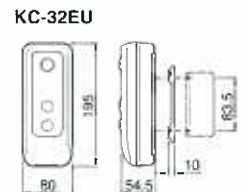
Example with KC-1MRD



System components

KC-1MRD, KC-1GRD, KB-3MRD, MK-1MD/A (1 monitor only), MY-1CD, MY-2CD

- Notes:**
- Cannot be used with MY-CU, MYW-P3CB, GM nor VY-EM systems.
 - Do not use **KC-32EU** with any MY video systems not listed here.
 - Do not use any power supply other than specified.



PS24 : one PS-24E (2A) for both units.

Specifications (KC-32EU)

- | | | |
|----------------------|-----------------------------------------------------------------------------------|------------|
| Power source: | 18V DC. | 24V DC. |
| Consumption: | 230mA max. | 160mA max. |
| Power supply: | PS-18C, PS-18E
PS-18YC/A, PS-18YE | PS-24E |
| Wiring: | 2 parallel wires to door, non-polarized.
2 wires to master station, polarized. | |

Wiring distance:	0.65mmø	1.0mmø
• KC-32EU to door	50m	100m
• KC-32EU to master	2.5m	5m
• KC-32EU to Power supply	—	10m (20m w/1.2mmø)

VIDEO ACCESSORIES

Color video door stations



New

KC-DAR
w/TILT camera
• For KC-1MRD & KC-1GRD



New

KB-DAR
w/TILT camera
• For KB-3MRD



KA-DGR PANEL
Stainless steel housing
• For KC-DAR & KB-DAR

Auxiliary light power control



MAW-B
• For KB-3MRD

30° Angle Box



KAW-D
• For KC-DAR & KB-DAR

PanTilt video door stations



New

MK-DAC
1-gang surface



New

MK-DBC
3-gang semi-flush



New

MK-DGC
3-gang semi-flush
w/aluminum panel



• Wide-angle fixed position camera

MY-DS
1-gang surface

Long distance adaptor



MYW-BA
1-gang surface



MKW-R
Surface-mount box
for MK-DBC

New

MK door stations



MK-DS/A
1-gang surface



MK-2DA
Dual-call
1-gang surface



MK-2DG
Dual-call
semi-flush
w/stainless cover



PP-MKG
PP-MK video door
station w/stainless
steel panel



PP-MKGH
PP-MK video door
station w/stainless
panel, horizontal

PP-MK & PPW-2P
Video door station
& frame



TAR-3 or RY-AC/A
External
signaling
device relay



New

RY-3DL
3 Door release
adaptor
• For KB-3MRD,
MY-2CD

Door stations



IF-DA
1-gang surface



IE-DC
1-gang surface



IE-JA
2-gang flush



IE-FY
Flush w/aluminum cover

Desk-top stand



MCW-S
• For MK-1MD/A,
MY-1CD,
MY-2CD,
MYH-2CD

ISO 9001

ISO 9001 standards provide an immediate recognition of product quality almost anywhere in the world.



ISO 9001 Certified
JQA-0291

Acquisition of ISO 14001

In early 1998, our management team determined to acquire ISO-14001 approval as a company-wide project, and working committee was established at the same time. Since then, with our ongoing efforts and practice about environmental management standards, we have succeeded to acquire the approval.



ISO 14001 Certified
JQA-EM0453

Winner Of The Deming Prize

Named in honor of Dr. W. Edwards Deming, the award honors firms worldwide which advance and maintain manufacturing quality.



Deming Prize

Distributed by :



COMMUNICATION SYSTEMS
AIPHONE
HOME, BUSINESS, INDUSTRY.